

# Valve Automation

## The Quartz



MODBUS

DeviceNet

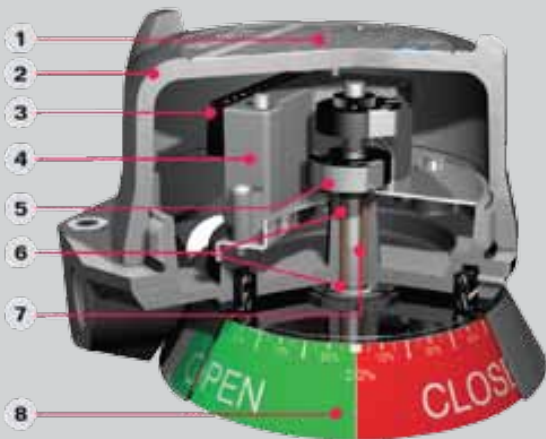


HART  
COMMUNICATION PROTOCOL

StoneL



The Quartz is available in explosion proof (QX), nonincendive and intrinsically safe (QN) and general purpose (QG) versions. The robust epoxy coated anodized aluminum construction makes this platform extremely durable and well suited for use in corrosive, heavy wash down environments. A broad range of switching, position transmitter and communication options may be selected to accommodate most applications. This versatile platform adapts to a wide variety of valve systems. Attach the Quartz to quarter-turn actuators, manual operators, linear operators and positioners using readily available stainless steel mounting systems.



### 2 Rapid Enclosure Access

Screw-on cover allows quick enclosure access, saving you valuable maintenance and set-up time. The cover provides a vapor tight seal and allows entry to internal components in less than five seconds.

### 3 Faster Wiring

Pre-wired and labeled terminal strip enables quick, convenient attachment of field wires.

### 4 Wide Variety of Switching & Communication

Switching options include dual module sensors and communication, Maxx-Guard proximity switches and mechanical switches. Continuous signal output is available in a 4 to 20 mA position transmitter.

### 5 Quick Set Cams are Easy to Adjust

Touch and Tune switch settings allow you to make adjustments in seconds without the use of tools.

### 6 Dual Shaft O-ring Seals Eliminate Corrosion

Top inner and bottom outer shaft o-rings seal the drive bushing from both external corrosives and internal contaminants that enter the enclosure.

### 7 Special drive bushing assures long cycle life

The oil impregnated bronze bushing maintains smooth operation and eliminates the potential for shaft seizure due to actuator shaft eccentricity.

### 8 Space Saving Visual Indication

Visual indicator offers excellent viewability without sacrificing accessibility or adding to space requirements. Indicators are also available with continuous percentage or three-way indication.

### 1 Enclosures Optimized for Environment

**QX:** Explosion-proof, water tight and corrosion-proof enclosure is approved for use in div.1/zone 1 hazardous areas.



**QN:** Nonincendive is approved for all div.2/zone 2 hazardous environments with proximity sensors using a clear cover. Intrinsically safe Namur sensors or passive switches are available for div.1/zone 0 applications.



**QG:** General purpose features a clear Lexan cover with mechanical switches. All enclosures are rated NEMA 4, 4x, and 6.



# Valve Automation



Save Space with Low Profile Design

QUARTZ



Clearance above the actuator is critical in complex piping systems. QUARTZ boldly displays valve position and encloses all electrical components in an explosion-proof compartment with less than 5" clearance requirement.

## Specifications and Ratings

### Materials of Construction

Housing & Aluminium Cover	Epoxy coated anodized marine grade aluminium
Clear Cover & Indicator	Lexan® polycarbonate
Elastomer Seals	Buna-N; Optional EPDM
Drive Shaft	Stainless Steel
Drive Bushing	Bronze, oil impregnated
Fasteners	Stainless Steel

### Temperature Ratings

Mechanical Components	-40° to 80°C (-40° to 176°F)
Dual Modules	-40° to 80°C (-40° to 176°F)
Maxx-Guard & SST	-40° to 80°C (-40° to 176°F)

### Warranty

Mechanical Components	2 Years
SST & Dual Modules	5 Years

### Explosion Proof Ratings

QX Models	
NEC/CEC	Class I Divisions 1 and 2 Groups B, C, D Class II Divisions 1 and 2 Groups E, F, G
IEC	Ex d IIC T5 - T6, Zones 1 & 2

### Nonincendive Ratings

QN Models	
NEC/CEC	Class I Divisions 1 and 2 Groups A, B, C, D Class II Divisions 1 and 2 Groups F, G
IEC	Ex na IIC T5, Zones 2

### Intrinsically Safe Ratings

QN Models (Function Dependent)	
NEC/CEC	Class I Divisions 1 and 2 Groups A, B, C, D Class II Divisions 1 and 2 Groups E, F, G
IEC	Ex ia IIC T5, Zones 0, 1 & 2

### Enclosure Protection

QX, QN and QG Models	
NEC/CEC	4, 4X & 6
IEC	IP67

## Dimensions

Inches [mm]

